



Nelson Electric
Supply Company, Inc.

www.nelson-electric.com

800.80.NELSON

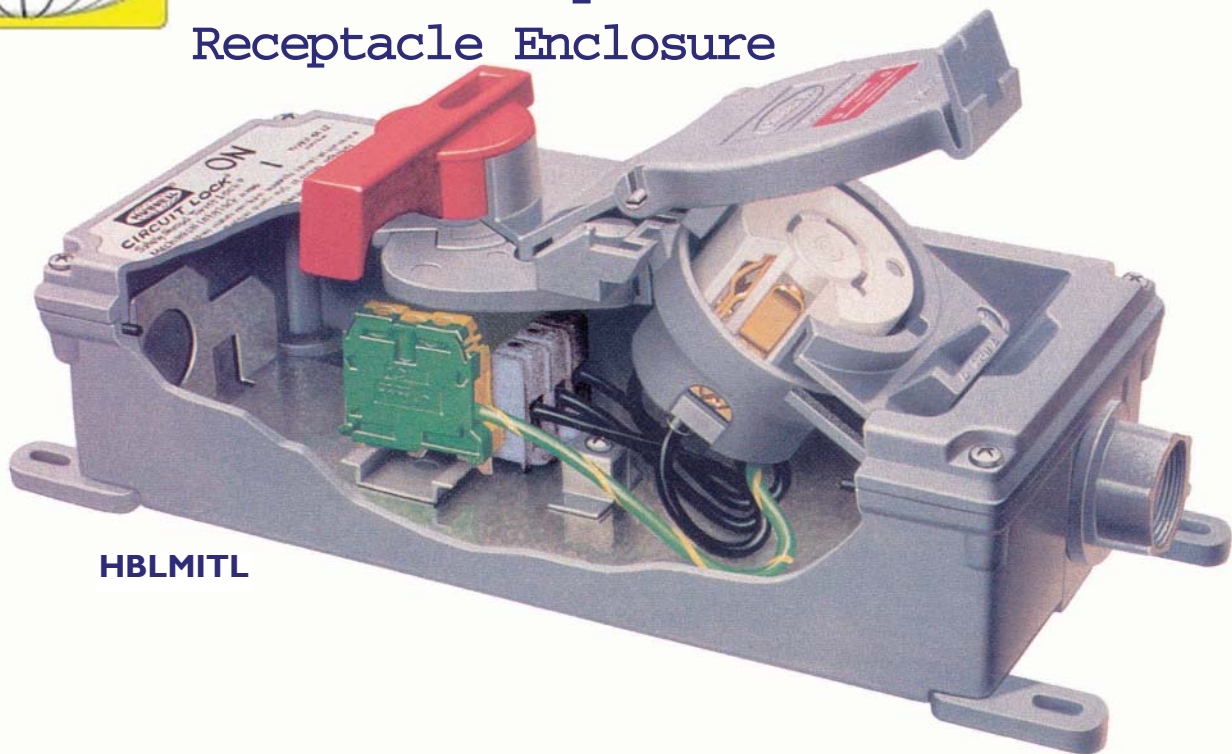
262.635.5050

fax: 262.637.2465

New Family in Stock at Nelson Electric...



Integrated Mechanical Interlock,
Unfused Safety Switch and
Receptacle Enclosure



HBLMITL

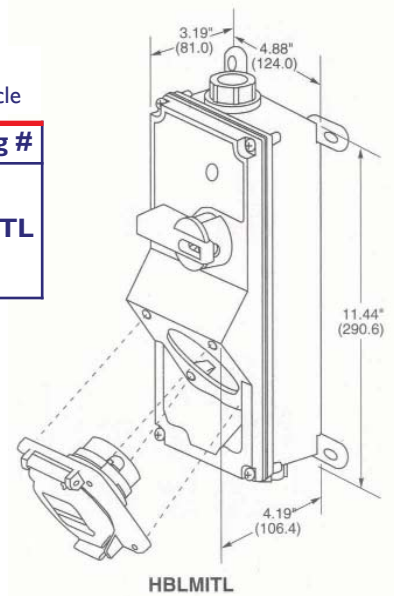
Features :

- The switch can't be turned on until the plug is properly inserted and locked
- The plug can't be removed until the switch is turned off
- Heavy-duty interlock linkage prevents make and break under load
- Lockable handle provides lockout protection
- Accepts angled 20 or 30 Amp Hubbell Watertight Safety-Shroud Twist-Lock receptacle
- Horsepower rated switch
- Compact, nonmetallic, water and corrosion resistant enclosure
- Top, bottom or back feed options
- Works with regular NEMA, Safety Shroud and watertight Safety Shroud Twist-Lock plugs

Ordering Information

This unit is a complete enclosure ready to accept any 20 or 30A watertight Safety-Shroud Twist-Lock receptacle

Description	Ratings	Catalog #
Mechanical Interlock accommodates 20A or 30A watertight Safety-Shroud Twist-Lock receptacles	Amperage, voltage and HP ratings will be determined by the choice of the watertight Safety-Shroud Twist-Lock selected. Supplied with 3/4" Hub	HBLMITL



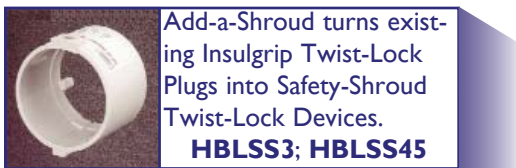
UL Listed, CSA Certified TYPE 4, 4X and TYPE 12K Enclosure Rating

IP66
SUITABILITY

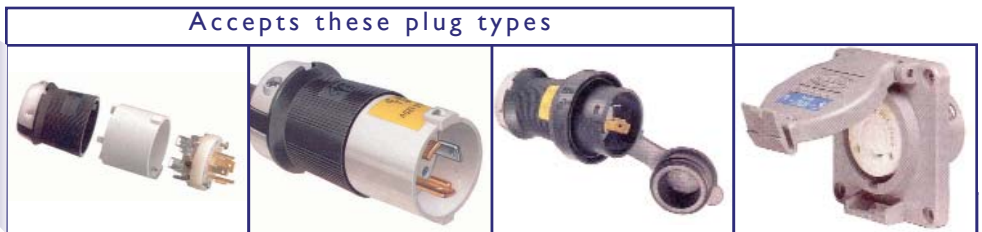
NEMA Ratings

NEMA 1	Indoor
NEMA 4X	Hosedown, corrosion resistant
NEMA 12K	Dust-tight, drip-proof

Accepts the following Twist-Lock receptacles:



Accepts these plug types



20A							
Rating	Voltage AC	NEMA Config Ref #	Max. HP Rating	Regular NEMA with add-on Shroud (NEMA 1)	NEMA with installed Safety Shroud (NEMA 1)	NEMA Safety Shroud Watertight (NEMA 4X, 12K)	Receptacle Catalog #
2 Pole, 3 Wire	120	L5-20	1	HBL2311 & HBLSS3	HBL2311S	HBL2311SW	HBL2310SW
2 Pole, 3 Wire	208-240	L6-20	2.5	HBL2321 & HBLSS3	HBL2321S	HBL2321SW	HBL2320SW
2 Pole, 3 Wire	277	L7-20	3	HBL2331 & HBLSS3	HBL2331S	HBL2331SW	HBL2330SW
3 Pole, 4 Wire	120/240	L14-20	2.5	HBL2411 & HBLSS45	HBL2411S	HBL2411SW	HBL2410SW
3 Pole, 4 Wire	240 3Ø	L15-20	5 (3@208V)	HBL2421 & HBLSS45	HBL2421S	HBL2421SW	HBL2420SW
3 Pole, 4 Wire	480 3Ø	L16-20	10	HBL2431 & HBLSS45	HBL2431S	HBL2431SW	HBL2430SW
4 Pole, 5 Wire	120/208 3ØY	L21-20	3	HBL2511 & HBLSS45	HBL2511S	HBL2511SW	HBL2510SW
30A							
Rating	Voltage AC	NEMA Config Ref #	Max. HP Rating	NEMA (NEMA 1)	NEMA Safety Shroud (NEMA 1)	NEMA Safety Shroud Watertight (NEMA 4X, 12K)	Receptacle Catalog #
2 Pole, 3 Wire	120	L5-30	1	HBL2611 & HBLSS3	HBL2611S	HBL2611SW	HBL2610SW
2 Pole, 3 Wire	208/240	L6-30	2.5	HBL2621 & HBLSS3	HBL2621S	HBL2621SW	HBL2620SW
3 Pole, 4 Wire	120/240	L14-30	2.5	HBL2711 & HBLSS45	HBL2711S	HBL2711SW	HBL2710SW
3 Pole, 4 Wire	240 3Ø	L15-30	5	HBL2721 & HBLSS45	HBL2721S	HBL2721SW	HBL2720SW
3 Pole, 4 Wire	480 3Ø	L16-30	10	HBL2731 & HBLSS45	HBL2731S	HBL2731SW	HBL2730SW
3 Pole, 4 Wire	600 3Ø	L17-30	*	HBL2741 & HBLSS45	HBL2741S	HBL2741SW	HBL2740SW
4 Pole, 5 Wire	120/208 3ØY	L21-30	5	HBL2811 & HBLSS45	HBL2811S	HBL2811SW	HBL2810SW

Auxiliary Contacts

Description	Ratings	Catalog #
Auxiliary Contact	Break after break NO/NC	HBLAC1
Auxiliary Contact	Break before break NO/NC	HBLAC2

CATHUBMECHINTLKNEL

