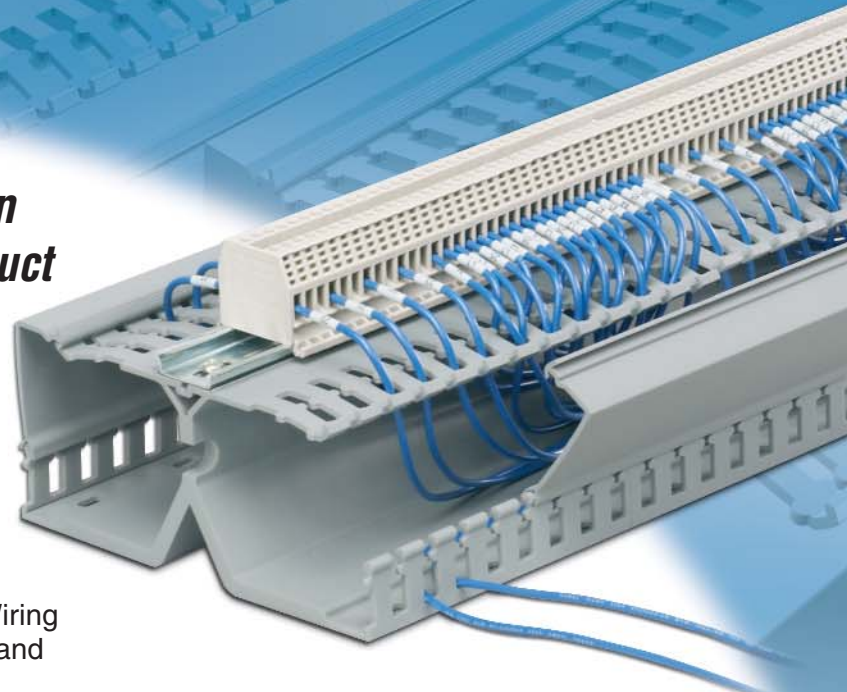


## Achieve Panel Space Optimization with PANELMAX™ DIN Rail Wiring Duct

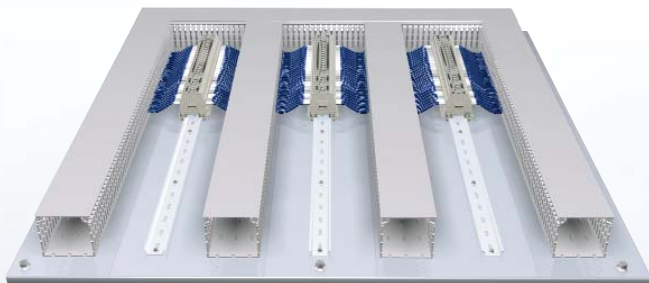
PANDUIT® PANELMAX™ DIN Rail Wiring Duct is an innovative wire management solution that maximizes space utilization within industrial enclosures, for flexibility in panel layout and reduced material and installation costs.

The unique design raises components from the panel surface for easier component access and faster connections. Three sizes of the DIN Rail Wiring Duct base are compatible with common DIN rail and DIN mount components<sup>1</sup> to satisfy a wide range of applications.

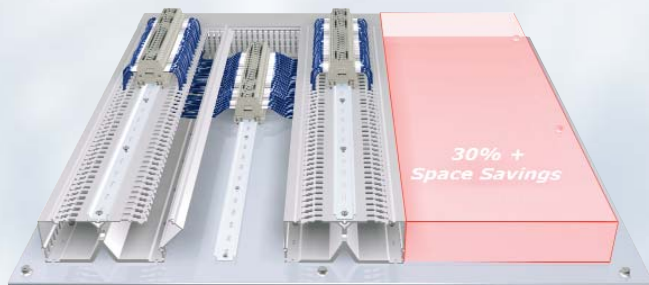


# Available Jan. 2009

### Conventional Wiring Duct Panel Layout



### DIN Rail Wiring Duct Panel Layout with 30% Space Savings

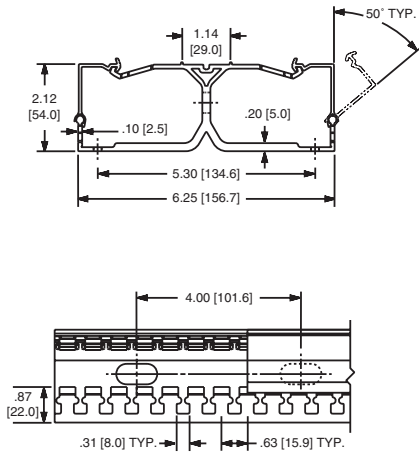


- Space saving design allows positioning of DIN rail and components directly above an integrated wire management channel for up to a **30% smaller footprint**
- Provides increased design flexibility and component access for easier installation and maintenance
- DIN rail mounts directly to wiring duct with plastic thread cutting screws for **up to 40% faster** duct and rail installation and reduced labor costs<sup>2</sup>
- Compatible with 35mm or 15mm DIN rail and many DIN rail mount components for design flexibility<sup>1</sup>

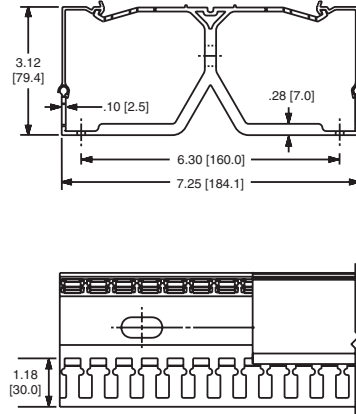
<sup>1</sup> Compatible components include but not limited to DIN mount terminal blocks, cube relays, interface modules, and fuse blocks and circuit breaker, small PLC I/O modules. Component compatibility is limited by overall size, compared to product platform size, and a maximum component weight of 4 lbs. per foot.

<sup>2</sup> Compared to installing two conventional wiring ducts and a single DIN rail mounted to the panel surface.

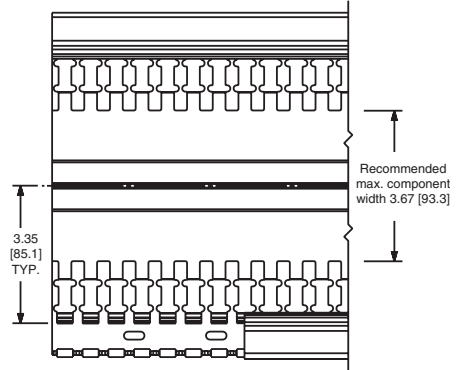
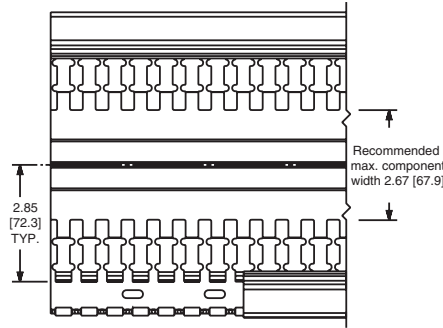
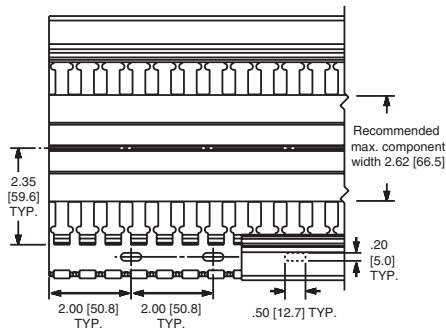
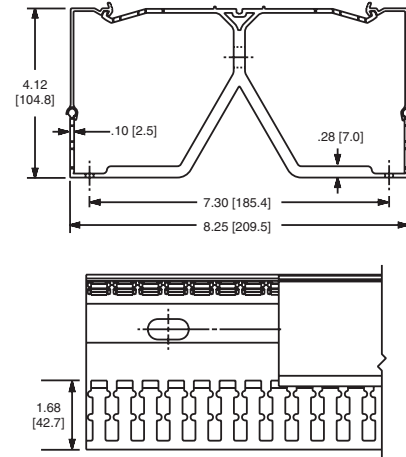
## 2" Duct



## 3" Duct



## 4" Duct



### WORLDWIDE SUBSIDIARIES AND SALES OFFICES

**PANDUIT CANADA**  
Markham, Ontario  
cs-dn@panduit.com  
Phone: 800.777.3300

**PANDUIT EUROPE LTD.**  
London, UK  
cs-emea@panduit.com  
Phone: 44.20.8601.7200

**PANDUIT SINGAPORE PTE. LTD.**  
Republic of Singapore  
cs-ap@panduit.com  
Phone: 65.6305.7575

**PANDUIT JAPAN**  
Tokyo, Japan  
cs-japan@panduit.com  
Phone: 81.3.6863.6000

**PANDUIT LATIN AMERICA**  
Jalisco, Mexico  
cs-la@panduit.com  
Phone: 52.333.777.6000

**PANDUIT AUSTRALIA PTY. LTD.**  
Victoria, Australia  
cs-aus@panduit.com  
Phone: 61.3.9794.9020

For a copy of PANDUIT product warranties, log on to [www.panduit.com/warranty](http://www.panduit.com/warranty)



For more information  
Visit us at [www.panduit.com](http://www.panduit.com)

Contact Customer Service by email: [cs@panduit.com](mailto:cs@panduit.com)  
or by phone: 800-777-3300 and reference WDFL02

©2008 PANDUIT Corp.  
ALL RIGHTS RESERVED.  
WW-WDFL02  
11/2008